

Sanitana

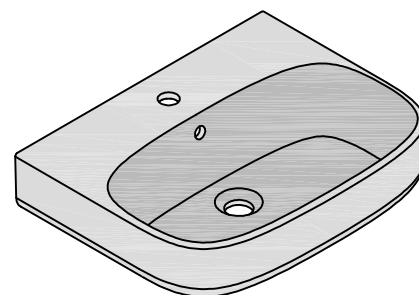
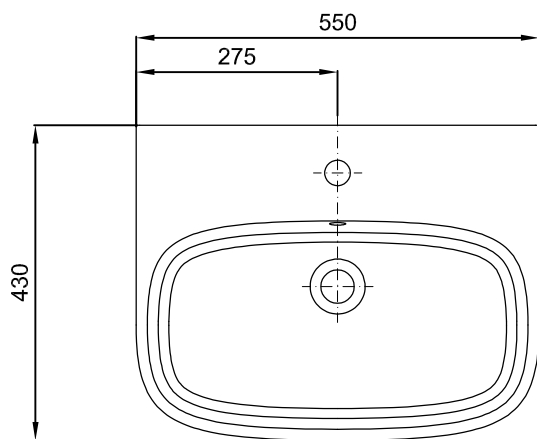
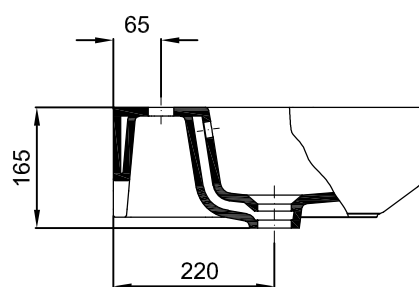
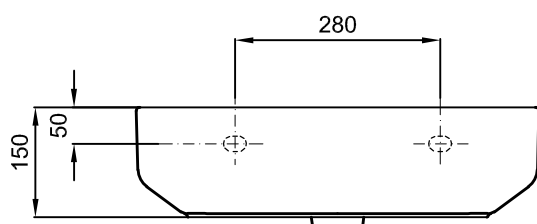
FEATURES OF THE MODEL:

- MATERIAL: FIRECLAY
- WITH ONE OPEN TAP HOLE
- WITH OVERFLOW
- S/ EN 31; UNE-EN 31; NF-EN 31; NF D 11 - 101; EN 14688
- 2 YEARS WARRANTY
- WEIGHT: 16.5 KG

PART:

- DESCRIPTION: COUNTERTOP WASHBASIN
- SERIES: BE YOU
- VERSION: 55x43 - ONE TAP HOLE
- REF: S10061736200000

SKETCH WITH DIMENSIONS AND CONNECTIONS:



INCLUDED COMPONENTS:

- FIXING KIT WASHBASIN Ref: CPF08.0000

RELATED PRODUCTS:

FORM N°: SDRW-000044603-a

The products presented follow technical specifications Sanitana SA. The dimensions are approximate. For installation as only to be considered the dimensions of the part to be removed applied. We reserve the right to make technical changes to improve the functionality of our products without notice.